

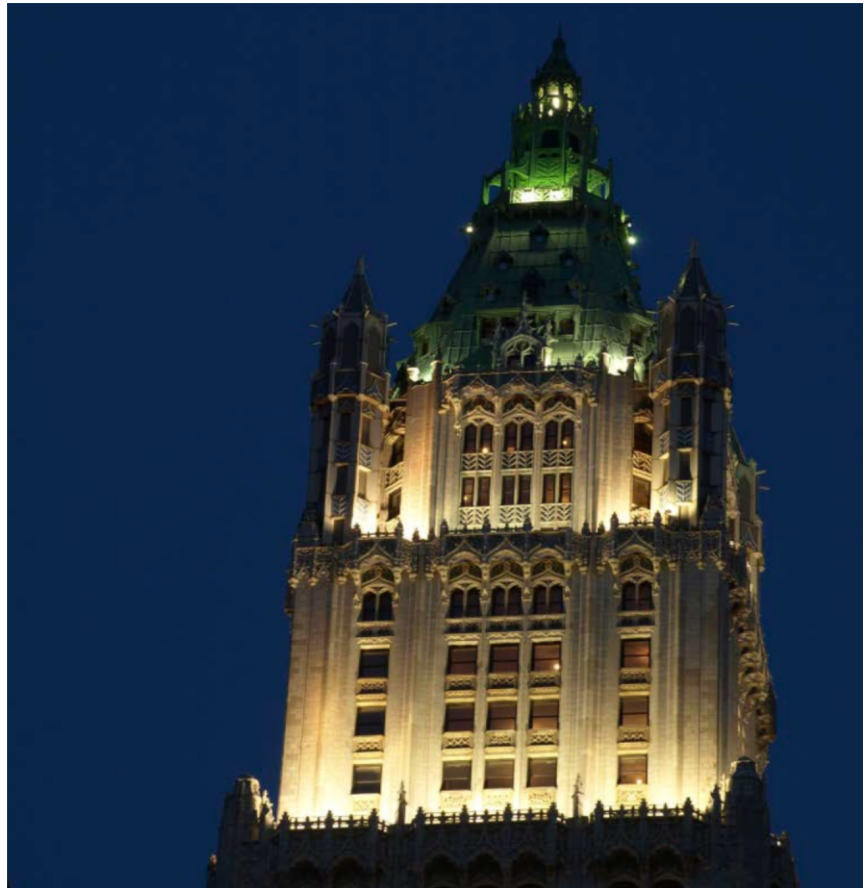
# CESAR SLIM MONOCOLOR DC

Linear LED Wallwasher  
Surface Mounted Facade Lighting



Cesar slim exterior wallwasher luminarie is mainly used wall washing, spot lighting and flood lighting. Continuous interconnection with IP67 connectors Mounting bracket made of stainless steel.

Aluminium extruded body with aluminium end caps offering various installation types. It is available as dimming options and many customizations options.



# CESAR SLIM MONOCOLOR DC

Linear LED Wallwasher  
Surface Mounted Facade Lighting

## Basic Options

Light Source	High Power LED
Light Source Color	4000K
Control Interface	On / Off
Protection Class IEC	Class 1
CE Mark	Yes
ENEC Standards	Yes
Warranty Period	5 years
L 70	> 60 000 Hours
MacAdams	3 Step MacAdams
Ambient Temperature	-25°C to +60°C
CRI	>80

## Electrical Options

Input Voltage	24V/DC
Input Frequency	50-60Hz
Electrical Protection Class	Class I

## Body Options

Housing	Aluminium Extrusion
Gasket	Silicone
Protection Rating	IP67
Impact Resistance	IK09
Color	Grey
Dimensions (LxWxH)	310-1510x50x28
Screws	316 Stainless Steel
End Caps	Aluminium Extrusion

## Optics

Light Distribution	30°/60°/90°/120°/Asm
--------------------	----------------------

## Connection

Connection Cable	5 pins circular
------------------	-----------------

## Customized Options

Power	14W - 53W ± %5
Led Qty	8 / 16 / 24 / 32 / 40
Input Voltage	24V/DC
CRI	>90 (Optional)
Light Color	Red, Green, Blue, Amber
Control	1-10V, DIM, DALI



# CESAR SLIM MONOCOLOR DC

Linear LED Wallwasher  
Surface Mounted Facade Lighting

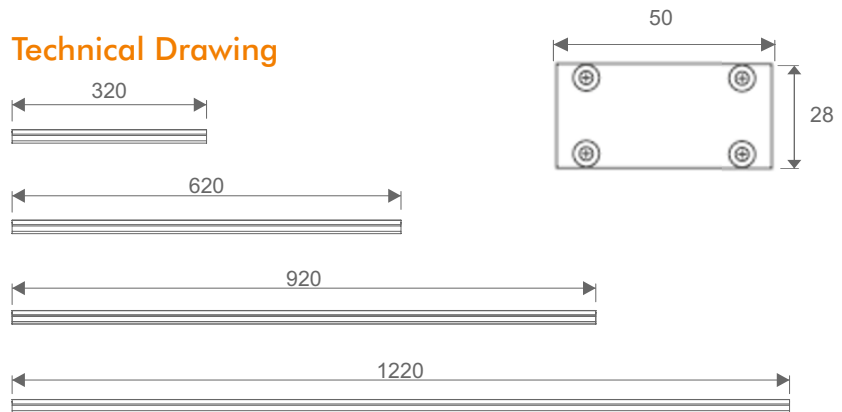
## Ordering Details

Product Code	Input	Power	Light Color	Lenght	Lumen
Cesar Slim.14.320.D.4.XX	24V/DC	14W	4000K	320mm	1200
Cesar Slim.27.620.D.4.XX	24V/DC	27W	4000K	620mm	2700
Cesar Slim.40.920.D.4.XX	24V/DC	40W	4000K	920mm	4000
Cesar Slim.53.1220.D.4.XX	24V/DC	53W	4000K	1220mm	5300

## Product Coding

Product Name	Product Power	Product Size	Control System	Color	Light Beam
XX	XX	XX	hblux	RGB	XX
XX	XX	XX	D	RGBW	XX

## Technical Drawing



## Connection Diagram

