



Aluminum injection body,
 UV protected diffuser,
 Opal Polystyren/PMMA (Fire-Proof) /
 Microprismatic (3D) Diffuser Types,
 Constant current LED driver,
 Electrostatic powder coating paint,
 Optional body colors,
 ENEC Standards



BASIC OPTIONS

on/off	on/off Control (No Dimmable)
230V AC	Input Voltage 230V/AC
CRI >80	Color Rendering Index > 80
4K	Light Temperature 4000K
▲	Light Beam 100°
●	White Polystyren Diffuser
w	White Body Color

PRODUCT CODE	W	Height	Length	Hole Size	Temp	Lumen*
ANTON 1".6.80.N.4.105	6	45	Ø80	Ø70	4000K	570
ANTON 2".6.100.N.4.105	6	55	Ø100	Ø85	4000K	570
ANTON 3".8.117.N.4.105	8	55	Ø117	Ø105	4000K	760
ANTON 4".10.147.N.4.105	10	55	Ø147	Ø130	4000K	1050
ANTON 5".16.173.N.4.105	16	55	Ø173	Ø158	4000K	1840
ANTON 6".21.190.N.4.105	21	55	Ø190	Ø175	4000K	2415
ANTON 8".23.231.N.4.105	23	55	Ø231	Ø214	4000K	2703
ANTON 8".30.231.N.4.105	30	55	Ø231	Ø214	4000K	3540

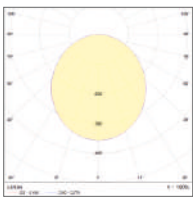
* According to 4000K light temperature

CUSTOMIZE OPTIONS

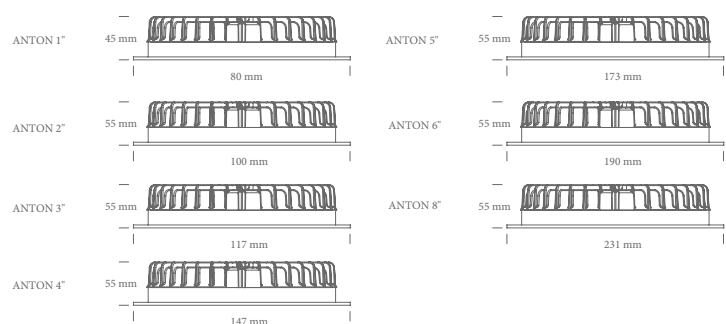
Dimmable 1-10V	Dimmable PUSH	Dimmable TRIAC	Dimmable DALI	Input Voltage 24V/DC	Light Temperature 3000K	Light Temperature 6500K	Dynamic White	Color Rendering Index > 90	Diffuser Options	EMERGENCY KIT
1-10V	PUSH	TRIAC	DALI	24V DC	3K	6.5K	DYN >90	CRI >90	●	E

PRODUCT CODING

Product Name	Product Power	Product Size	Control System					Color Temperature			Light Beam
XX	XX	XX	1-10V	PUSH	TRIAC	DALI	3K	4K	6.5K	▲	
XX	XX	XX	N	V	P	T	D	3	4	6	XX



TECHNICAL DRAWINGS



* For different options, please contact our team.